

Compensator

The flexible solution for easy scale decoupling

A good scale decoupling is essential for weighing processes. The *ROWEFLEX*® Compensator isolates every kind of interferences perfectly with its highly flexible membrane. The vase shape improves the cleanability and leaves no residue in the compensator during production processes.



Advantages

of the *ROWEFLEX*® Compensator:

- Seamless vase shape
- Perfect scale decoupling
- No deposits in the interior
- FDA-compliant
- CIP-capable
- Highly flexible
- Transparent
- Air-, gas- and liquid-tight

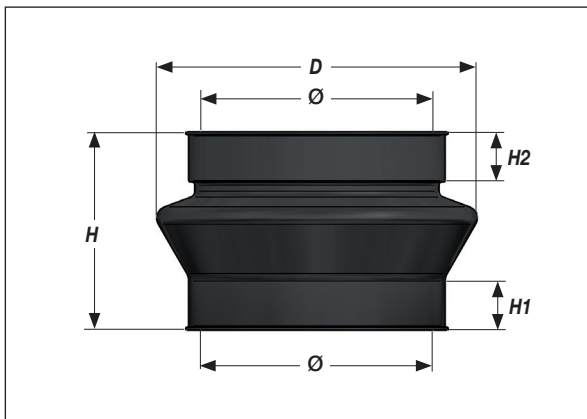
Applications

of the *ROWEFLEX*® Compensator:

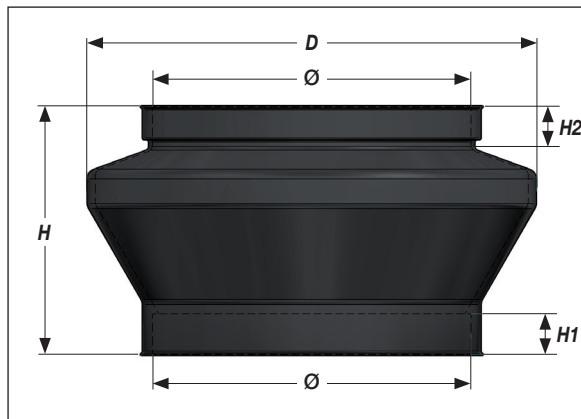
- Food stuff industry
- Pharmaceutical industry
- ATEX-sector
- Chemical industry
- Weighing technology
- Vibration decoupling

ROWEFLEX® Compensator

Small version to Ø 150



Large version from Ø 150



Dimension table				
Ø	H	D	H1	H2
48,3	65	75	16	16
76,1	65	105	16	16
100	100	162	20	20
150	120	216	20	20
200	120	266	20	20
250	120	316	20	20
300	120	366	20	20
350	120	416	20	20

Technical Data			
Silicone black	Silicone transparent	EPDM black	EPDM grey
-30°C to + 200°C	-30°C to + 200°C	-20°C to + 100°C	-20°C to + 100°C
FDA compliant	FDA compliant	FDA compliant	FDA compliant
electrical conductive		electrical conductive	
Surface resistivity < 10 ⁹ Ω		Surface resistivity < 10 ⁹ Ω	

Connection options:

- Directly to Tri-Clamp connector
- Hose clamp connection

Materials

Material Colour Feature Shore hard.	Silicone Black FDA + ATEX 45° Shore	Silicone Transparent FDA 45° Shore	Silicone Transparent FDA 32° Shore	EPDM Black FDA + ATEX 45° Shore	EPDM Grey FDA 45° Shore
Ø 48,3	●	●	○	●	●
Ø 76,1	●	●	○	●	●
Ø 150	●	●	○	●	●
Ø 200	●	●	○	●	●
Ø 250	○	○	○	○	○
Ø 300	○	○	○	○	○

● in stock
○ on request

Status 10/2015

We will gladly advise you with regard to other shapes or sizes of ROWEFLEX® Compensators.